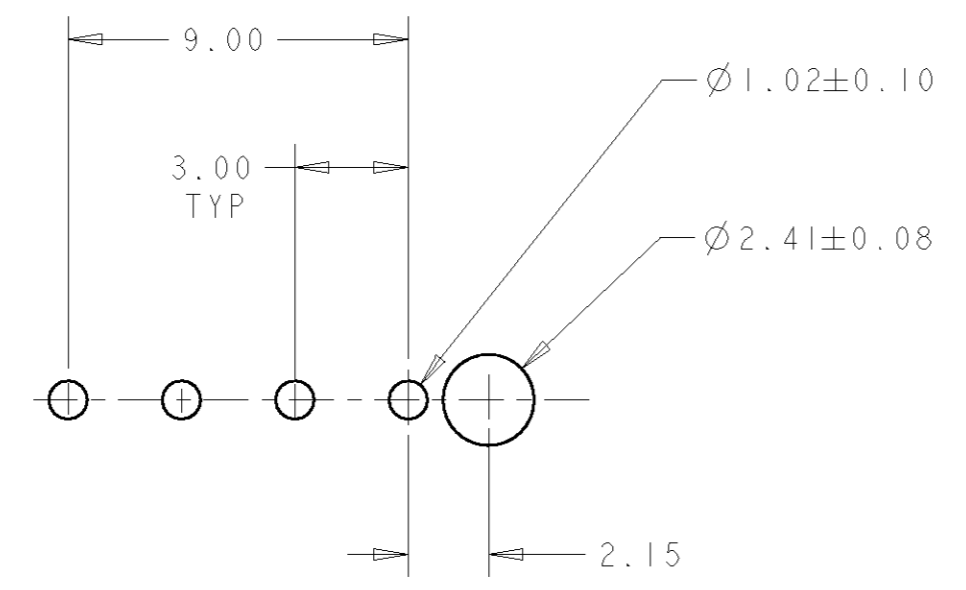
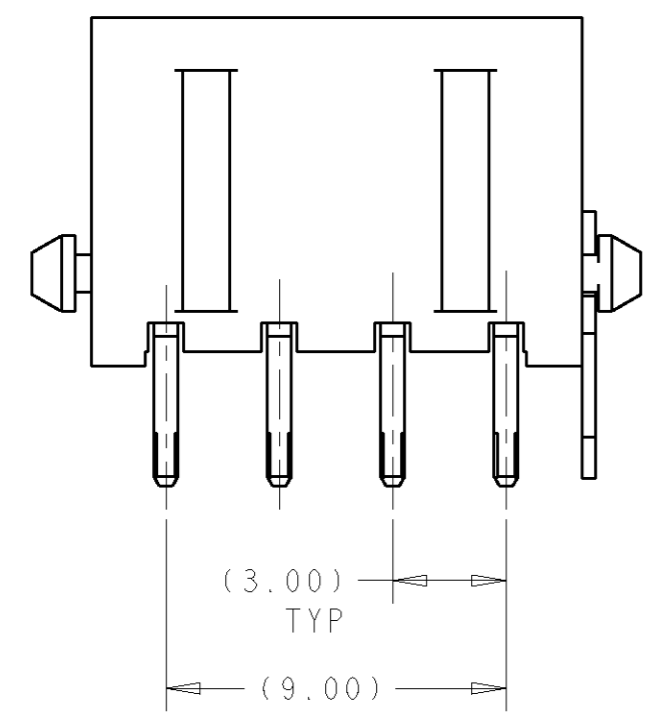
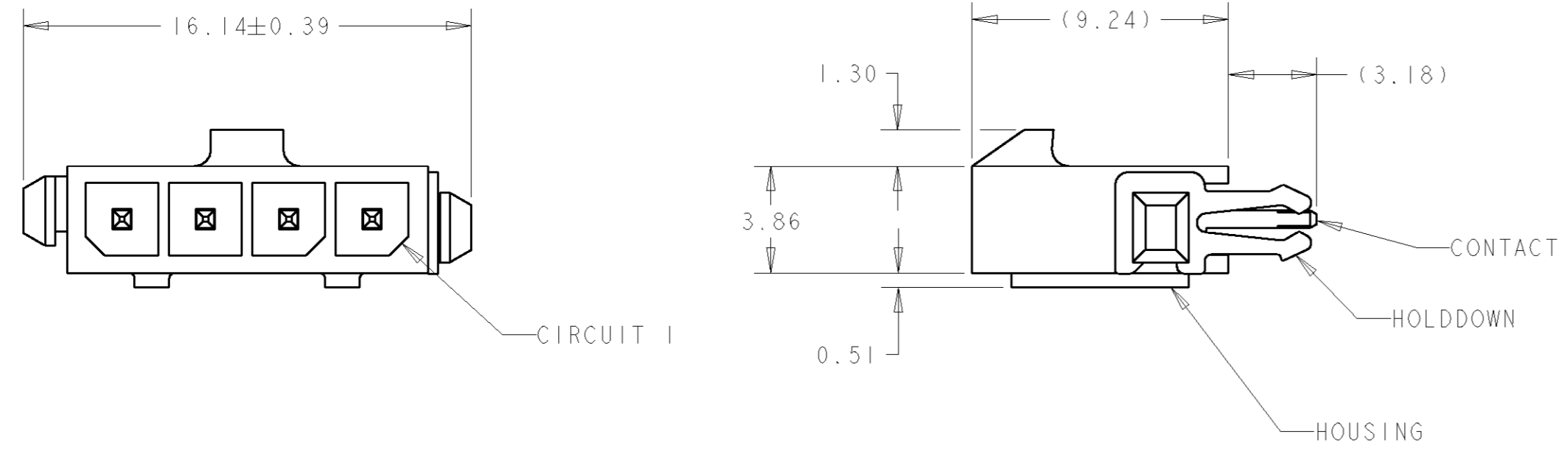


THIS DRAWING IS UNPUBLISHED. RELEASED FOR PUBLICATION .19
 © COPYRIGHT 19 BY AMP INCORPORATED. ALL RIGHTS RESERVED.

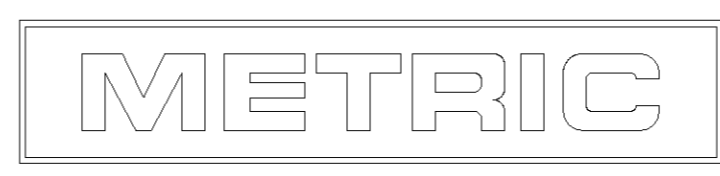
LOC	DIST	REVISIONS			
P	LTR	DESCRIPTION	DATE	DWN	APVD
	O	REVISED PER 063B-0448-01	12-OCT-01	KW	DC
	A	REVISED PER 063B-0002-05	22FEB05	KW	CJ



PCB LAYOUT COMPONENT SIDE $\triangle 4$

- $\triangle 1$ MATERIAL: CONTACTS - BRASS
 HOUSING - UL 94V-0 RATED HIGH TEMP NYLON, COLOR BLACK.
 HOLDDOWNS: - PHOSPHOR BRONZE.
- $\triangle 2$ PLATING: CONTACTS - 2.54 μ m MINIMUM TIN-LEAD OVER 1.27 μ m MINIMUM NICKEL.
 HOLDDOWNS: 2.54 μ m MINIMUM MATTE TIN OVER 1.27 μ m MINIMUM NICKEL.
- $\triangle 4$ RECOMMENDED PC BOARD THICKNESS OF 1.57.
- $\triangle 5$ PLATING: CONTACTS - 2.54 μ m MINIMUM MATTE TIN OVER 1.27 μ m MINIMUM NICKEL.
 HOLDDOWNS: 2.54 μ m MINIMUM MATTE TIN OVER 1.27 μ m MINIMUM NICKEL.
- $\triangle 6$ ROHS COMPLIANT.

$\triangle 6$	$\triangle 5$	2-794930-4
	$\triangle 2$	794930-4
	FINISH	PART NUMBER



<small>THIS DRAWING IS A CONTROLLED DOCUMENT FOR AMP INCORPORATED. IT IS SUBJECT TO CHANGE AND THE CONTROLLING ENGINEERING ORGANIZATION SHOULD BE CONTACTED FOR THE LATEST REVISION.</small>		DWN K. WHITAKER 17-MAY-2001 CHK D. COLEY 17-MAY-2001 APVD D. COLEY 17-MAY-2001	AMP Tyco Electronics Harrisburg, PA 17105-3608
DIMENSIONS: mm	TOLERANCES UNLESS OTHERWISE SPECIFIED: 0 PLC ± 1 PLC ± 2 PLC ±0.13 3 PLC ± 4 PLC ± ANGLES ± FINISH SEE TABLE	PRODUCT SPEC - APPLICATION SPEC - WEIGHT -	NAME VERTICAL THRU HOLE HEADER ASSY, TIN CONTACTS, WITH THRU HOLE HOLDDOWN, SINGLE ROW, MICRO MATE-N-LOK™ SIZE A2 CAGE CODE 00779 DRAWING NO. 794930
MATERIAL - $\triangle 1$		CUSTOMER DRAWING	SCALE 5:1 SHEET 1 OF 1 REV A